

Class-X

Mental Ability and Comprehensive Test) 2013-14

1. (2) 468
17, 43, 81, 131
Again subtract
26, 38, 50
12, 12, 12
2. (3) 39 $\therefore \frac{2,3}{1}, \frac{3,5}{2}, \frac{10,13}{3}, \frac{?,43}{4}, \frac{172,175}{5}$
3. (1) QOL Difference between
y & w is 1
w & u is 1
u & s is 1
Difference between E & F is 0
Difference between F & H is 1
4. (3) N7 P
5. (3) 100 ; $7^2 : 9^2 : 8^2 : 10^2$
6. (1) 132
 $42 : 56 :: 110 : ?$
 $6 \times 7 : 8 \times 7 :: 10 \times 11 : 12 \times 11$
7. (4) W K NS Skip letter in the given sequence to get first 2 letters & pick the previous letter from the remaining seq.
8. (4) 730 divisible by 3
9. (1) 34 -12 The difference in all the option is prime number is $\rightarrow 43-30 \rightarrow 7$
10. (4) JFHG All the alphabets are not Consecutive in only 4th question
11. (2) Maids, Women Doctors
because maids cannot be doctor.
12. (4)

13. (4) BAETSLDEIHS

GER MI NIATION

I M GRE NNOAIT

14. (4) TUBUITUMB AS is for T. and there is no other option starting from T.

15. (4) nil pom de

you-nil

it - ra

was - lee

what- de

Like-pom

16. (3) $11\frac{1}{18}$

let the worker be x

$$\therefore W = \frac{n}{3}$$

$$\text{married } W = \frac{1}{6}x$$

$$M = \frac{2}{3}x$$

$$\text{Married } m = \frac{3}{4} \times \frac{2}{3}x = \frac{x}{2}$$

\therefore Total

$$\text{worker with child} = \frac{7x}{18}$$

$$\text{married} = \frac{x}{3} \quad \text{Child}$$

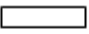

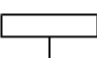
$$\begin{aligned} \therefore \text{worker child} &= x - \frac{7}{16}x \\ &= \frac{11}{18}x \end{aligned}$$

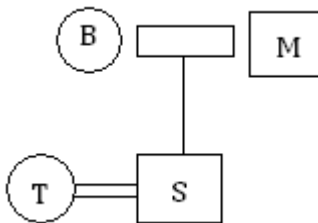
17. (3) 47

18. (4) Six

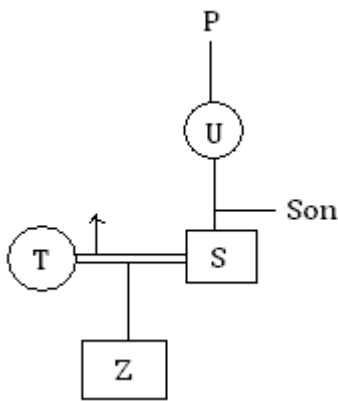
19. (3) d, b, a, e, c

20. (4) Sister daughter of M

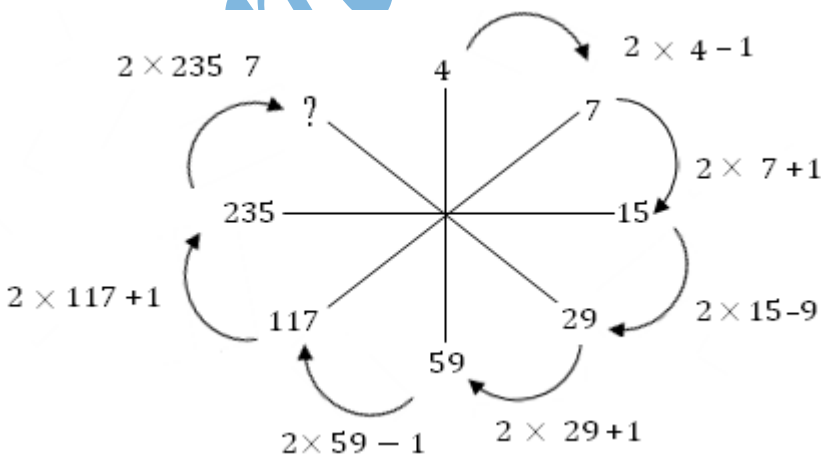
O represent female  represent couple
 represent uncle  represent offspring



21. (3) Grand mother



22. (4) 469



23.

24. (2)

25. (4) G

- 26. (1) Unemployed women in villages
- 27. (3) E & F
- 28. (3) 5km
- 29. (2) Three
- 30. (1) Three
- 31. (4), (L, M)

M	O	T			
M		L		T	
M	L				

- 32. (4)
- 33. (4)
- 34. (3) No. of lines increasing are consecutive
- 35. (4)
- 36. (4)
- 37. (4)
- 38. (3) sides are either increasing or decreasing in others
- 39. (3)
- 40. (1) The Dot doesn't lie in circle
- 41. (4)
- 42. (2)
- 43. (2)
- 44. (3)
- 45. (2)
- 46. (3)
- 47. (2) 50

Let no. of coins

$$Re = a$$

$$50p = b$$

$$25p = c$$

$$10p = d$$

$$b = \frac{2}{5}a$$

$$\frac{d}{a} = \frac{4}{3}$$

$$a + b + c + d = 325$$

$$a = 75$$

$$b = 30$$

$$c = 120$$

$$d = 100$$

Now , Rupees Re l \rightarrow 75

conversion, $50p \rightarrow 15$

$25p \rightarrow 30$

$10P \rightarrow 10$

48. (2) ATQ, $c = 4b$

49.	1	50.	1	51.	3	52.	3	53.	3
54.	2	55.	1	56.	3	57.	2	58.	4
59.	2	60.	1	61.	2	62.	3	63.	2
64.	3	65.	4	66.	2	67.	1	68.	3
69.	4	70.	2	71.	2	72.	3	73.	2
74.	4	75.	2	76.	3	77.	1	78.	2
79.	4	80.	3	81.	4	82.	4	83.	4
84.	3	85.	4	86.	1	87.	2	88.	3
89.	3	90.	1						